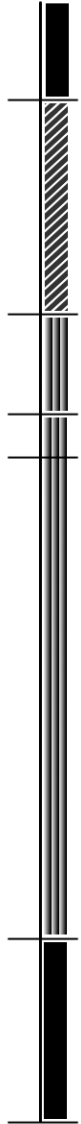
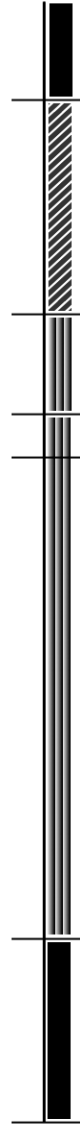


VIDEO TAPE JOB REPORT

TITLE <hr style="width: 80%; margin-left: 20px;"/>	EED	DATE	ROOM & MACHINE	EED ENGINEER
	AUDIO	<input type="radio"/> STEREO <input type="radio"/> MONO <input type="radio"/> DUAL	1ch 3ch <hr style="width: 50%; margin-left: 20px;"/> 2ch 4ch	TC
PRODUCTION	MA	DATE / /	ROOM & MACHINE	AUDIO ENGINEER

TC/TIMER





<input type="radio"/> EED <input type="radio"/> DUB <input type="radio"/> ORG TAPE No. _____	<table border="1" style="width: 100%; border-collapse: collapse;"> <thead> <tr> <th colspan="4" style="text-align: left;">ADDITIONAL EED</th> </tr> <tr> <th style="width: 15%;">DATE</th> <th style="width: 35%;">JOB</th> <th style="width: 20%;">ROOM & MACH</th> <th style="width: 30%;">ENGINEER</th> </tr> </thead> <tbody> <tr> <td>/ /</td> <td></td> <td></td> <td></td> </tr> <tr> <td>/ /</td> <td></td> <td></td> <td></td> </tr> <tr> <td>/ /</td> <td></td> <td></td> <td></td> </tr> <tr> <td>/ /</td> <td></td> <td></td> <td></td> </tr> <tr> <td>/ /</td> <td></td> <td></td> <td></td> </tr> </tbody> </table>	ADDITIONAL EED				DATE	JOB	ROOM & MACH	ENGINEER	/ /				/ /				/ /				/ /				/ /			
ADDITIONAL EED																													
DATE	JOB	ROOM & MACH	ENGINEER																										
/ /																													
/ /																													
/ /																													
/ /																													
/ /																													